

Hubei Wanli Protective Products Co., Ltd.



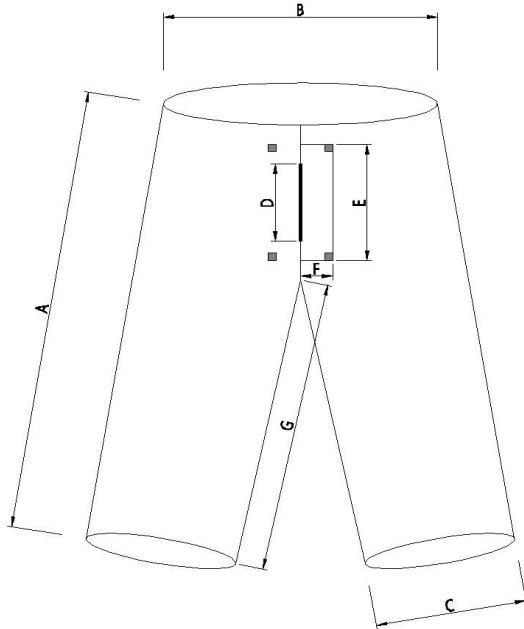
Yuanshi, Ganhe, Xiantao, China
<http://www.hbwanli.com>
Tel: 0086-27-85513916
Fax: 0086-27-85513926

Technical Sheet of Colon Shorts

Date: 2020/1/3

Ref. No.: EN10117L, EN10117XL

Description: Colonscopy Pants with Flap and velcro



Material: EN10117L:PP40gsm, dark blue; EN10117XL: PP40gsm, dark green

Waist: Elastic

Others: Front slip, Flap and velcro

Packing: 10pcs/bag, 100pcs/ctn.

Size Chart:	A	B	C	D	E	F	G
EN10117L:58x70	58	70	36	19	26	13	14
EN10117XL:68x80	68	80	40	25	30	15	14
TARE +/-	2	2	1	1	1	1	1
DIMENSIONS are in CM.							

Storage and Disposal:

The non woven colonoscopy shorts can be stored in accordance with normal storage practice and can be disposed of without harm to the environment.

Sales: Celine Huang

Production: Feng Changwu