

PEEL POUCH STERILIZATION RACKS



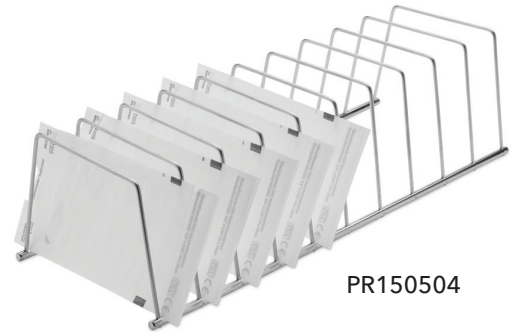
Key Surgical® Peel Pouch Sterilization Racks are designed to keep sterilization pouches upright and on edge for proper sterilization per ANSI/AAMI standards. These racks feature multiple slots to help keep your pouches organized and support efficiency in reprocessing.

- Racks designed for holding individual pouched instruments/devices in an upright position for proper sterilization in accordance with ANSI/AAMI standards
- Constructed of durable 304-grade stainless steel and designed with multiple slots for efficient volume sterilization depending on your needs
- Various sizes available to fit a variety of sterilizer sizes

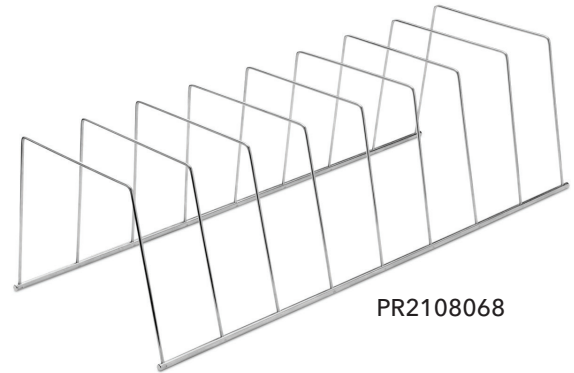
“Paper-plastic pouches should stand on edge in relation to the cart or shelf, with the paper side of one pouch next to the plastic side of the next pouch; holding racks or baskets specifically designed for pouches can be used.”

-ANSI/AAMI ST79: 8.5.2

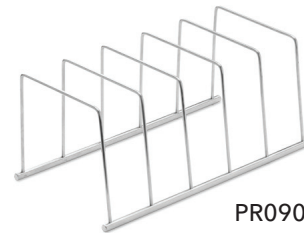
Product No.	Description	Qty
PR150504	15.5" x 5" x 4", 10 slots, 1.5" apart	1
PR2108068	20.5" x 8" x 6", 8 slots, 2.5" apart	1
PR0905045	8.7" x 4.7" x 4", 5 slots, 1.5" apart	1
PR2108064	20.5" x 7.5" x 6", 4 slots, 5" apart	1
PR16060421	16.3" x 5.5" x 4", 21 slots, 0.7" apart	1



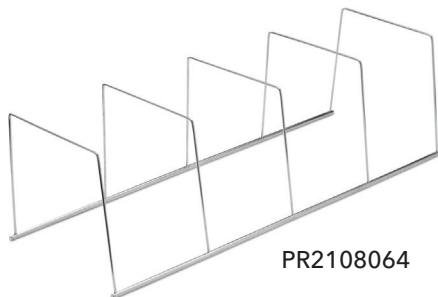
PR150504



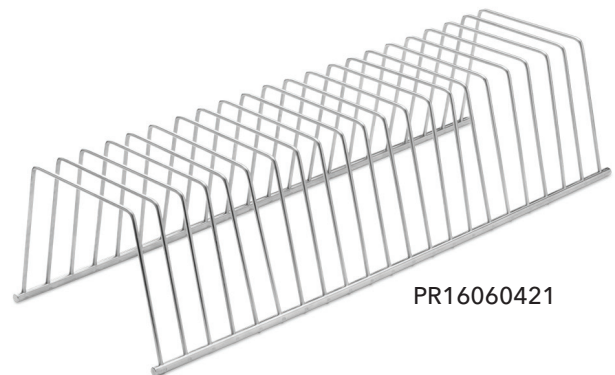
PR2108068



PR0905045



PR2108064



PR16060421

CONTACT YOUR STERIS REPRESENTATIVE TO LEARN MORE